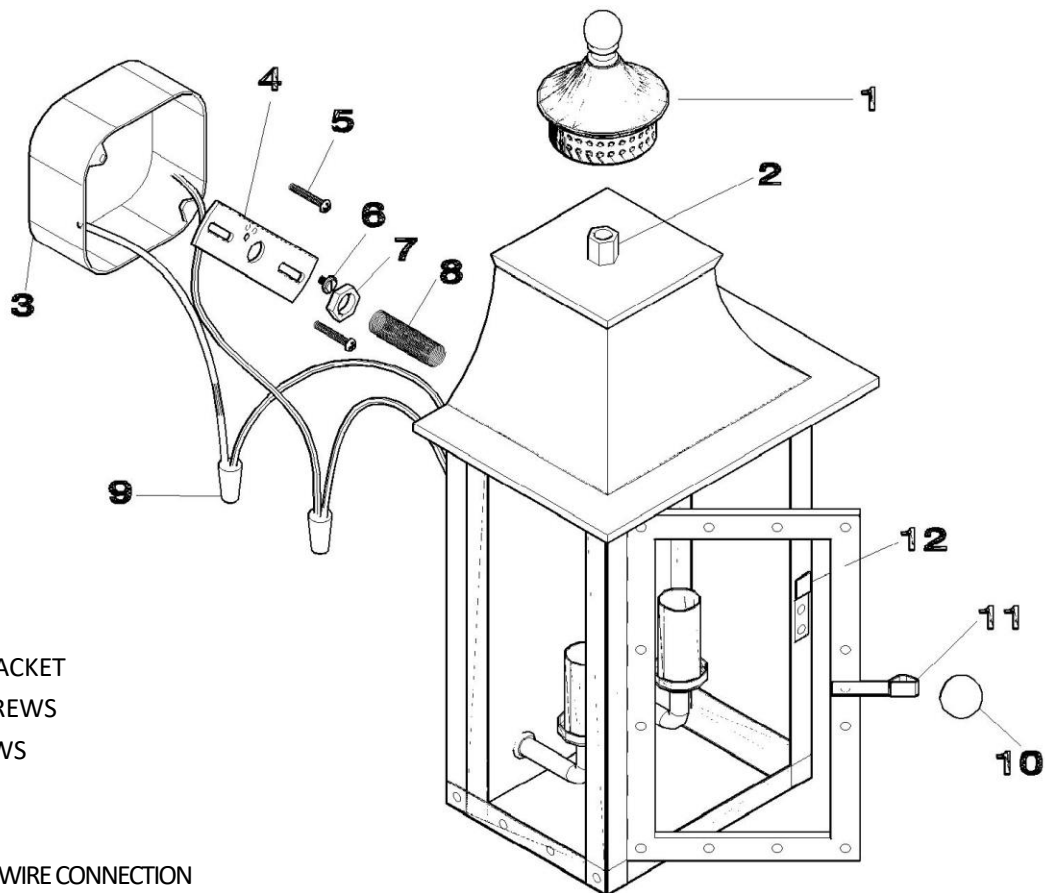


Mounting Instructions

1. Option A: Mount wall bracket to electrical box using $\frac{1}{4}$ "strap, $\frac{1}{4}$ "nipple and cap screw. Secure $\frac{1}{4}$ " strap to mount surface and thread nipple into strap. Position wall bracket onto electrical box so nipple extends through hole in center of back plate. Secure in place with cap nut.
 Option B: Wall mount back plates are pre-drilled in each corner to facilitate attaching mount bracket directly to wall or other mounting surface. Use back plate as template to drill holes in mounting surface and secure wall mount with appropriate hardware.(Not Included)
2. Ensure power to electrical box is turned OFF prior to attempting to install fixture.
3. Secure cross bar to electrical box with screws provided.
4. Insert threaded nipple into cross bar.
5. Connect electrical wires at box leads from fixture; black to black, white to white and ground to ground using CSA or UL approved wire connectors.
6. Carefully tuck wiring into electrical box as you place light fixture over threaded nipple. Secure in with brass cap nut.
7. Install light bulbs as required. Bulbs must not exceed wattage specified on sockets.
8. Close door and secure latch.



1. TOP COVER
2. COUPLING
3. OUTLET BOX
4. MOUNTING BRACKET
5. MOUNTING SCREWS
6. GROUND SCREWS
7. HEX NUT
8. NIPPLE
9. WHITE TO WHITE WIRE CONNECTION
10. BALL
11. BUCKLE
12. LATCH