



PRODUCT DESCRIPTION

Indirect exterior lighting not only provides illumination where you want but it also highlights the building structure for a beautiful architectural effect. Our collection of up and down lighting fixtures are available in both Architectural Bronze and Brushed Aluminum.

FINISHES OPTION

Brushed Aluminum AL



RATINGS

Wet Location
Dimmable



ADDITIONAL

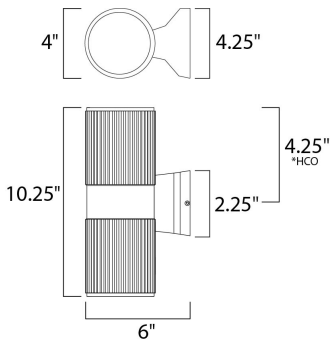
INSTALL UP/DOWN: BOTH
OPERATING TEMPERATURE:
-20°C (-4°F), 40°C (104°F)
PHOTOMETRIC: Report Found Online

MEASUREMENTS

DIMENSION : 4." W x 10.25" H x 6." Ext
BACK PLATE : 4.15" HCO
HANGING WEIGHT : 3.53 lb

LAMPING

INPUT VOLTAGE : 120V
LUMENS : 1,400 Rated (390 Del.)
BULB : 2 x 10W (INTEGRATED), 20W Total
DIMMABLE : Dimmable
CRI : 80+ CRI
COLOR_TEMP : 3000K
LIGHTING_DIRECTION : BOTH



*height from center of outlet to the top of the fixture

Always consult a qualified electrician before installing any lighting product.



WESTERN DISTRIBUTION CENTER (HEADQUARTER)
253 NORTH VINELAND AVE | CITY OF INDUSTRY, CA 91746

EASTERN DISTRIBUTION CENTER
4200 SHIRLEY DR. | ATLANTA, GA 30336

P. 626.956.4200 | F. 626.956.4225 | maximlighting.com