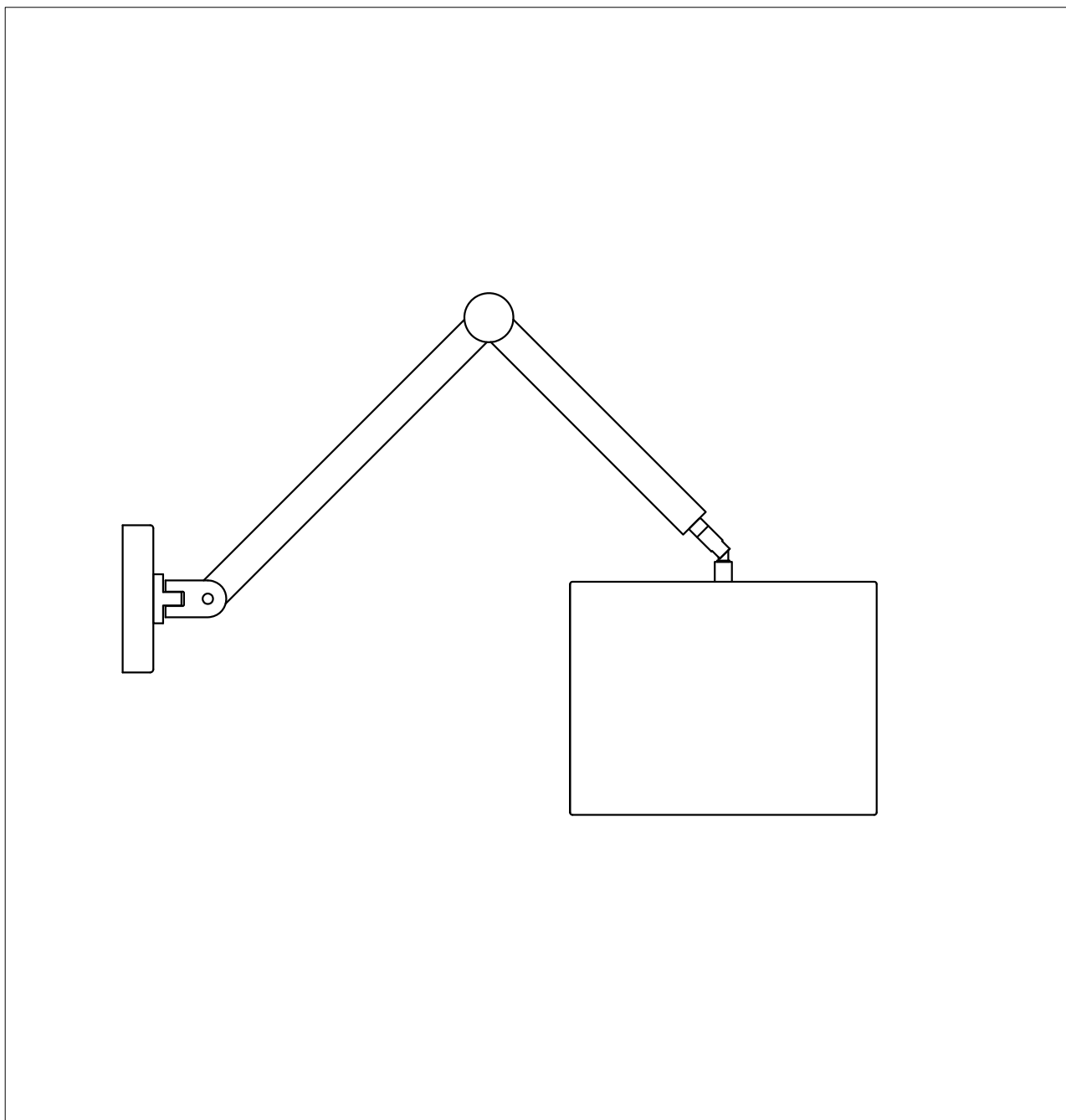




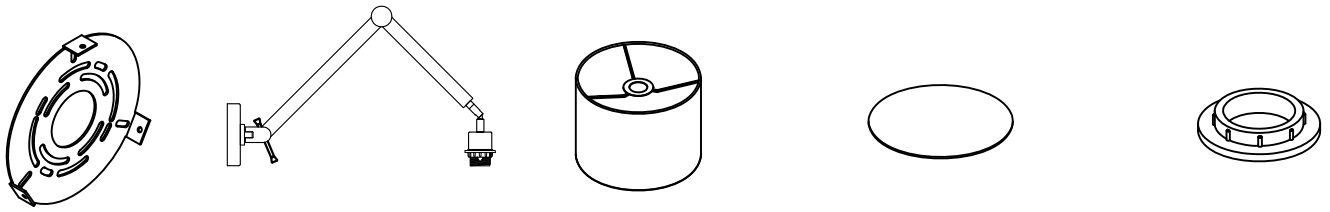
PRODUCT NAME: HOTEL  
ITEM NUMBER: 60133WAPC

Please consult your electrician for hanging fixture and wiring.



E26 1X16W

**IMPORTANT:** Turn off the power at the main fuse or circuit breaker box before starting installation



Bracket (A)

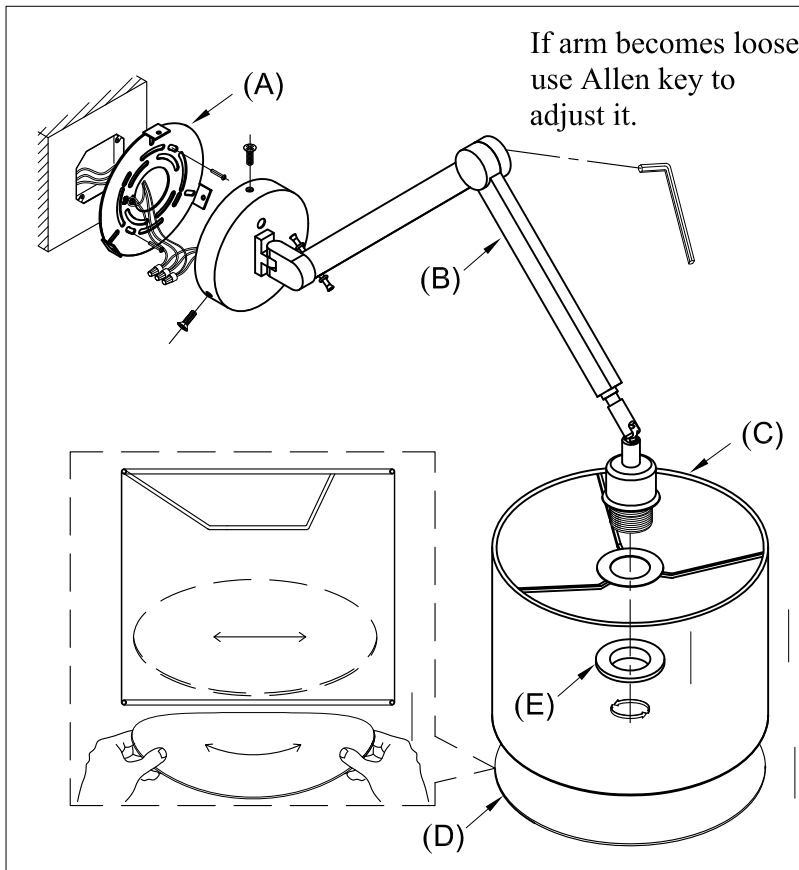
Body (B)

Shade (C)

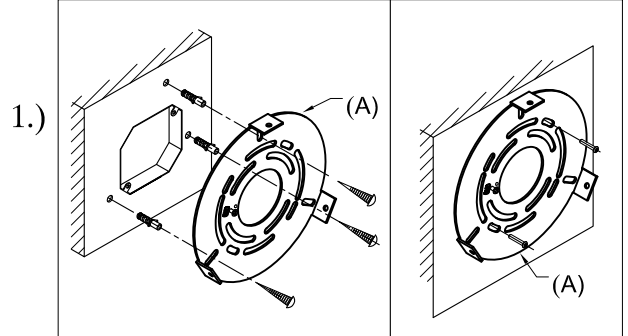
Acrylic diffuser (D)

Socket ring (E)

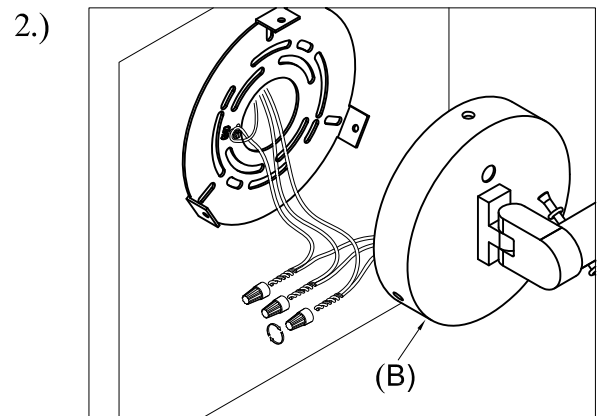
Locate all hardware & components before discarding packaging



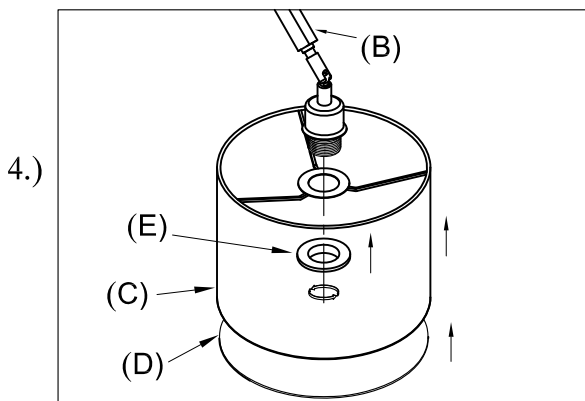
**Step 4:** Remove the socket ring (E) from fixture (B). Attach shade (C) and secure using socket ring (E). Insert acrylic diffuser (D) through the bottom of the shade.



**1.)** Remove mounting bracket (A) from fixture and install to the wall, then install to electrical box.

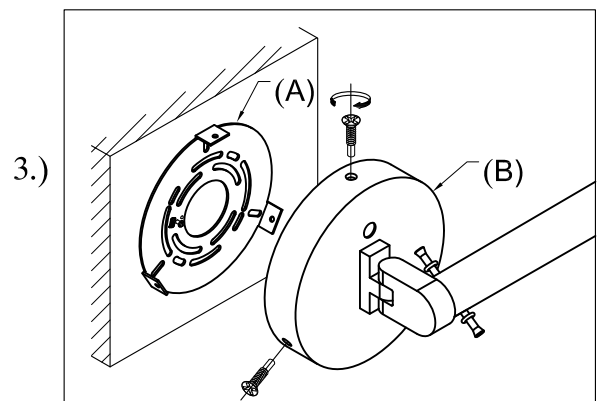


**2.)** Wire fixture to wire in outlet box. Copper wire is for ground



**Cleaning & Care:**

Clean with soft cloth and a mild detergent. Do not use abrasive cleaner.



**3.)** Attach the body (B) to the mounting bracket (A) using three screws provided.