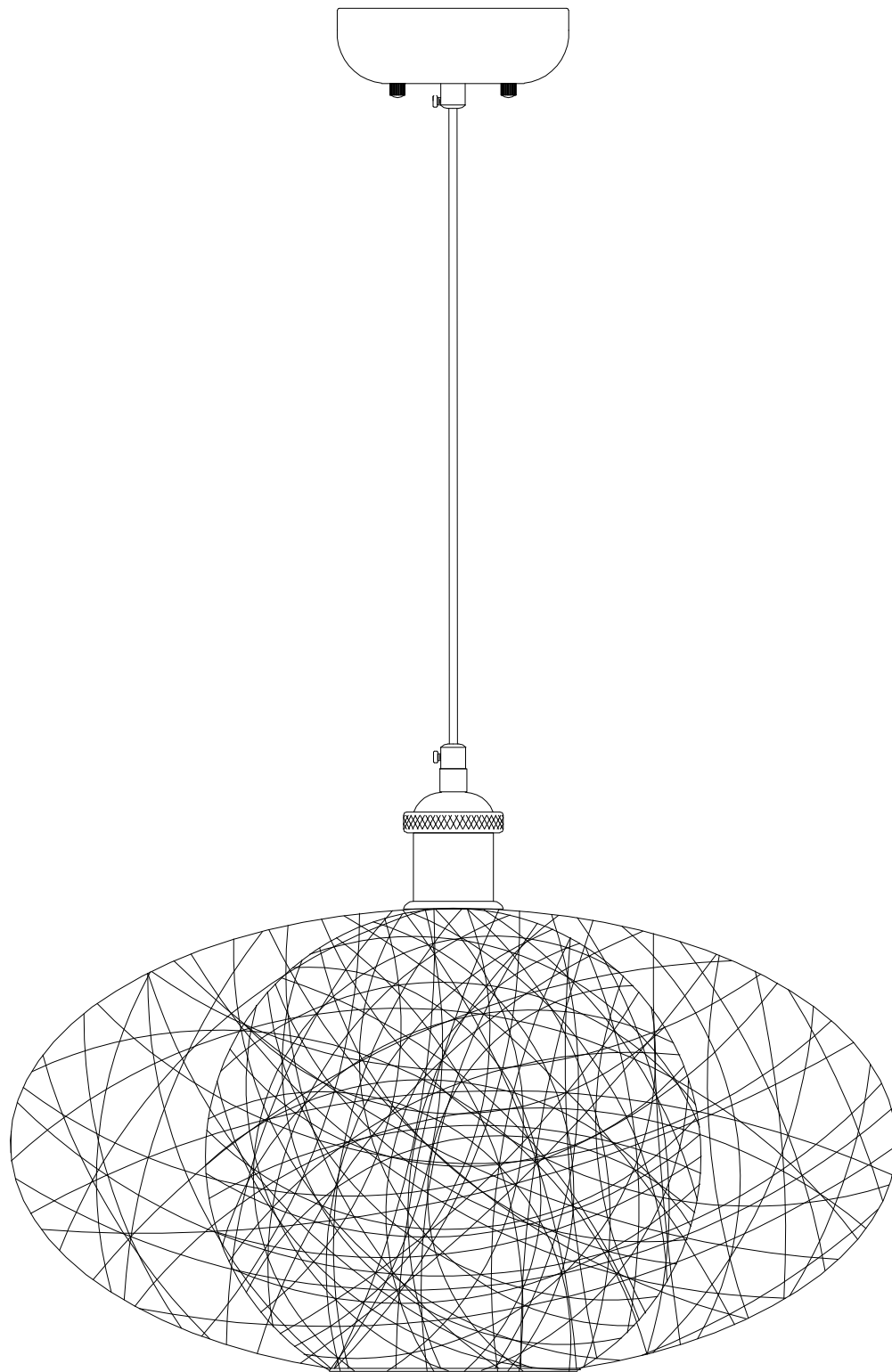




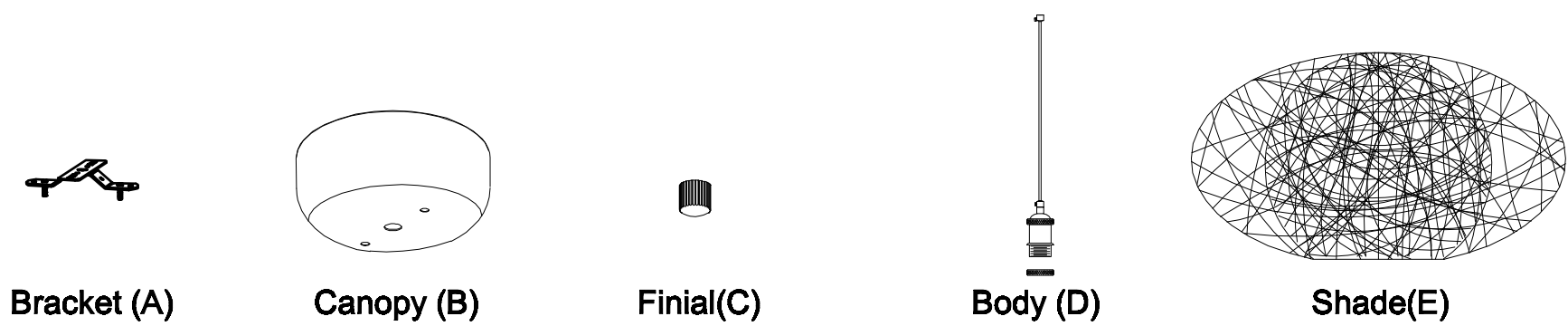
PRODUCT NAME: Bali
ITEM NUMBER: 14404CHWT

Please consult your electrician for hanging fixture and wiring.

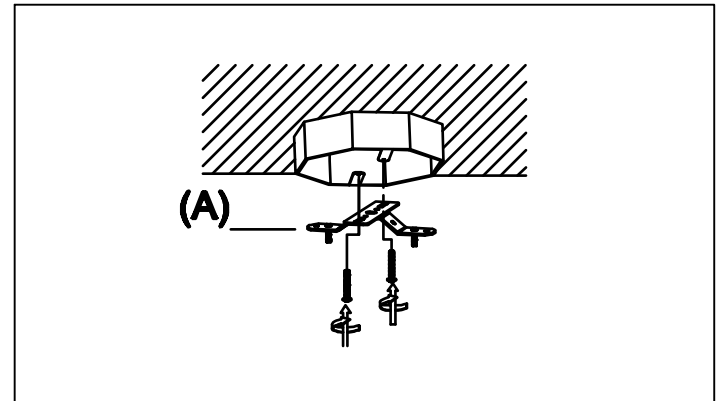
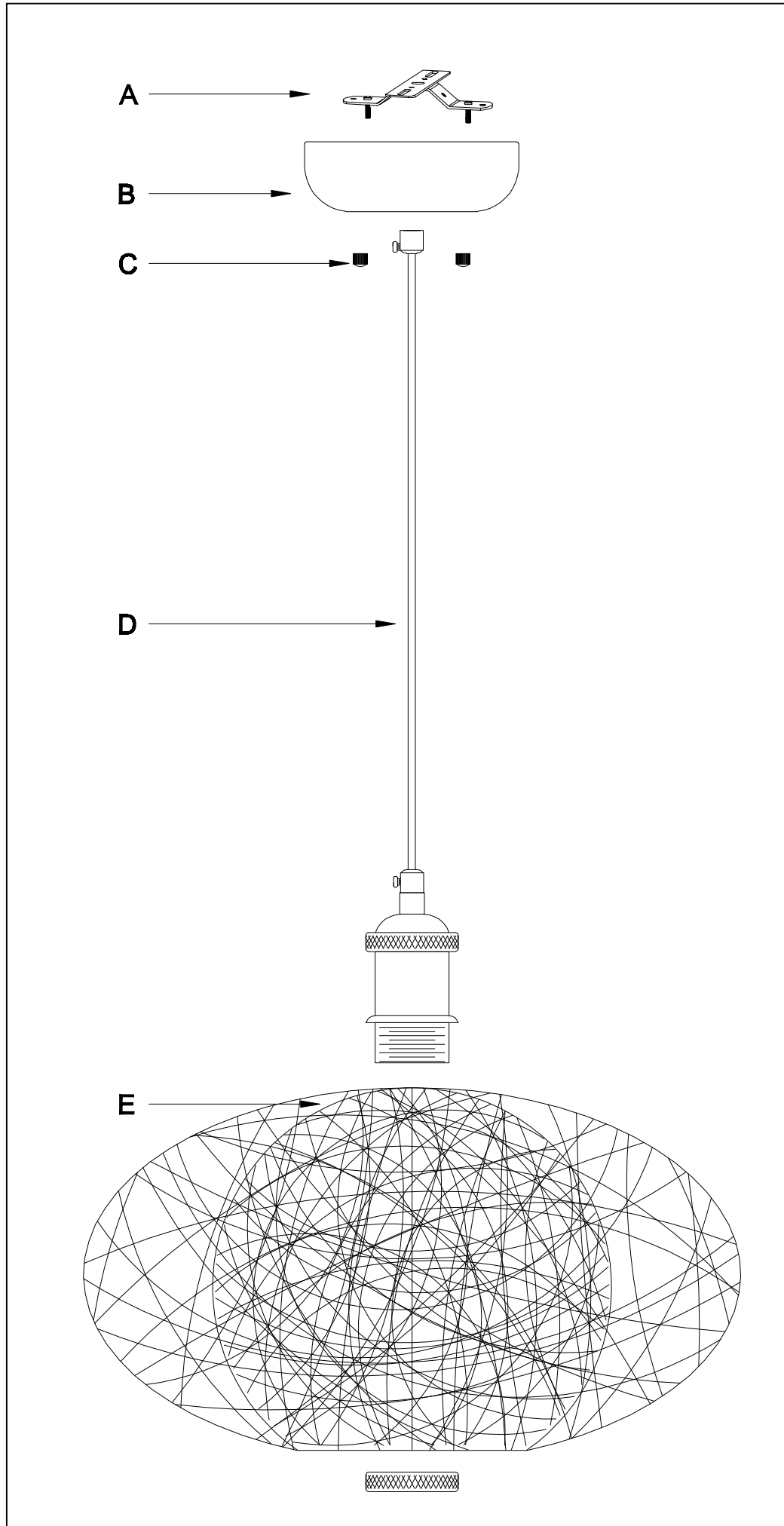


E26 1X60W

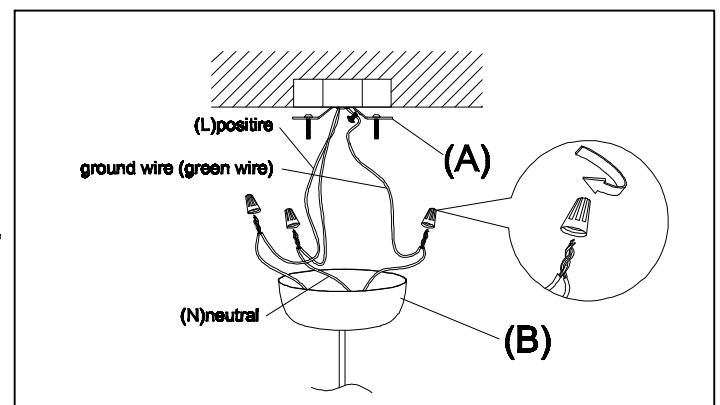
IMPORTANT: Turn off the power at the main fuse or circuit breaker box before starting installation



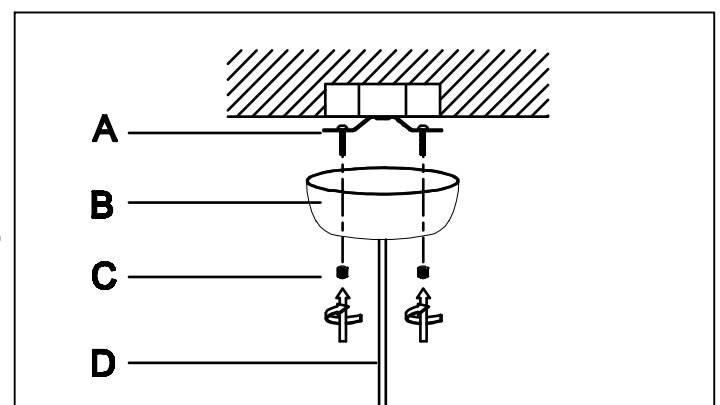
Locate all hardware & components before discarding packaging



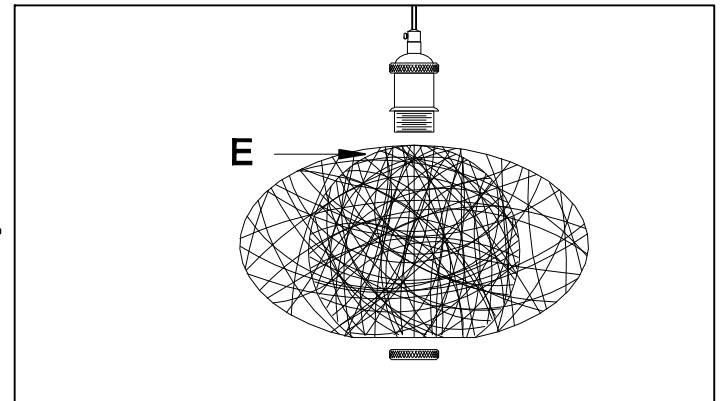
Step.1: Remove mounting bracket(A) from fixture and install to electrical box.



Step.2: Wire fixture to wires in outlet box. Green wire is for Ground.



Step.3: Adjust cable length to desired mounting height, and tighten strain relief screws to secure. Install body (C) to bracket (A) and tighten finials (C) on the canopy (B) to secure.



Step.4: Attach shade (E) to socket using screw ring. Install bulb.

Cleaning & Care:

Clean with soft cloth and a mild detergent.
Do not use abrasive cleaner.