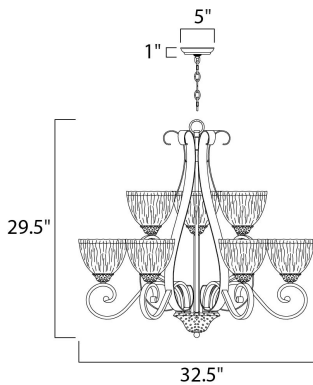




PRODUCT DESCRIPTION

Heavy hand forged frames finished in Oil Rubbed Bronze is warmed by the glow of our new Amber Ice glass.



MEASUREMENTS

DIMENSION : 32.5" W x 29.5" H
 CANOPY : 5." W x 1." H x 5." L
 HANGING WEIGHT : 33.99 lb

LAMPING

INPUT VOLTAGE : 120V
 LUMENS : 10,350 Rated (0 Del.)
 BULB : 9 x 60W (NOT INCLUDED), 540W Total
 DIMMABLE : Dimmable
 COLOR_TEMP : 2700K

FINISHES OPTION

Oil Rubbed Bronze OI



GLASS

Amber Ice AI

MATERIAL

Iron

RATINGS

Dry Location
 Dimmable



ADDITIONAL

INSTALL UP/DOWN:
 RATED LIFE 2500 Hours
 OPERATING TEMPERATURE:
 -20°C (-4°F), 40°C (104°F)

Always consult a qualified electrician before installing any lighting product.



WESTERN DISTRIBUTION CENTER (HEADQUARTER)
 253 NORTH VINELAND AVE | CITY OF INDUSTRY, CA 91746

EASTERN DISTRIBUTION CENTER
 4200 SHIRLEY DR. | ATLANTA, GA 30336

P. 626.956.4200 | F. 626.956.4225 | maximlighting.com