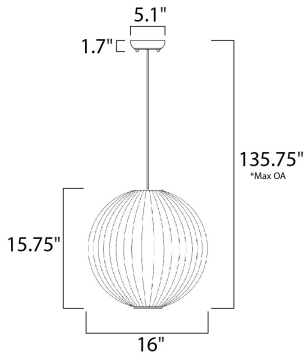




PRODUCT DESCRIPTION

Interlinking panels of Ash wood are bent and formed into a variety of shapes. Organically beautiful, the Norwood collection is finished in a natural Uddo oil to allow the beauty of the grain to shine through. Energy efficient GU24 fluorescent lamps are supplied with each fixture.



*max overall height

MEASUREMENTS

- DIMENSION : 16." L x 16." W x 15.75" H
- MAX OAH : 135.75" OAH
- CANOPY : 5.1" W x 1.7" H x 5.1" L
- HANGING WEIGHT : 1.72 lb

LAMPING

- INPUT VOLTAGE : 120V
- LUMENS : 1,650 Rated (1,100 Del.)
- BULB : 1 x 26W (INCLUDED), 26W Total

FINISHES OPTION

Black BK



MATERIAL

Wood + Steel

RATINGS

Dry Location
CA Title 24



ADDITIONAL

INSTALL UP/DOWN:
OPERATING TEMPERATURE:
-20°C (-4°F), 40°C (104°F)

Always consult a qualified electrician before installing any lighting product.



WESTERN DISTRIBUTION CENTER (HEADQUARTER)
253 NORTH VINELAND AVE | CITY OF INDUSTRY, CA 91746
EASTERN DISTRIBUTION CENTER
4200 SHIRLEY DR. | ATLANTA, GA 30336
P. 626.956.4200 | F. 626.956.4225 | maximlighting.com