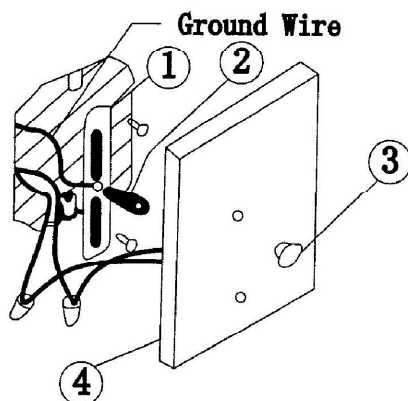
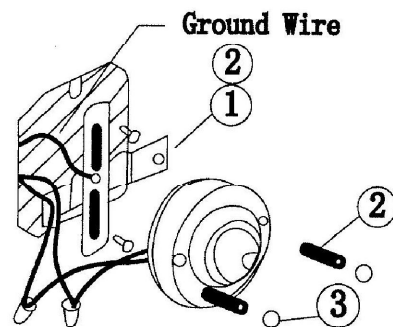


Please read instructions carefully before installation of you Lighting Fixture. Referring to the drawing below, you hate to determine the type of fixture which you have purchased "Singte Strap Mounted" or "Swivel Strap Mounted" and proceed accordingly.



1. Single cross bar
2. Threaded nipple
3. Thredsed cap
4. Fixture canopy

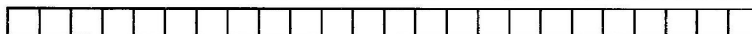


1. Swivel cross bar
2. Threaded screw pin
3. Ball knobs
4. Fixture canopy

Installation Procedures

1. Swith off the power supply to the outlet box on which you plan to mount the lighting fixture
(Caution:Disconnect all power before servicing)
2. Fix he cross bar to outlet box by using existing outlet box screws
3. Connect thxture wirest to house wires, Enure the right matching as black to black, white to white Secure house ground wire to the cross bar ground wire screw(Caution:Make sure connections are secure, in Right Polatity and in Good Insulation)
4. Mount lighting Fixture according to the drawing above
5. Caulk with silicon or similar caulking dutable for outdoor use
Make a complete seal around fixture canopy and mounstionsg surface

READ & SAVE THESE INSTRUCTIONS



INSTALLATION & OPERATION INSTRUCTIONS

TOOLS & MATERIALS REQUIRED

- Blade screw driver
- Wire cutters
- Adjustable wrench
- Wiring supplies, as required by electrical code
- Stepladder.

CAUTION: Before assembling your lighting fixture, refer to the section titled, **ELECTRICAL CONNECTIONS**. If you feel you do not have electrical wiring experience, refer to a do-it-yourself wiring handbook or have your fixture installed by a qualified licensed electrician.

GENERAL

1. To ensure the success of the installation, be sure to read these instructions and review the diagrams thoroughly before beginning.
2. All electrical connections must be in accordance with local codes, ordinances or the National Electrical Code. If you are unfamiliar with methods of installing electrical wiring, secure the services of a qualified licensed electrician.
3. These fixtures are intended to be mounted to a 4" X 2 1/8" deep metal octagon outlet box. The box must be directly supported by the building structure.
4. Before starting the installation, disconnect the power by turning off the circuit breaker or by removing the fuse at the fuse box. Turning the power off using the light switch is not sufficient to prevent electrical shock.

NOTE: The important safeguards and instructions appearing in this manual are not meant to cover all possible conditions and situations that may occur. It must be understood that common sense, caution and care are factors which cannot be built into any product. These factors must be supplied by the person(s) caring for and operating the fixture.

UNPACK THE FIXTURE

Check the contents of the box. You should receive:

- Mounting hardware package
- Glass diffusers (not supplied on all models)
- Plastic tip covers (one for each diffuser, not supplied on all models)
- Fixture assembly

PREPARE THE FIXTURE

NOTE: FIRST TURN OFF ELECTRICITY ADJUST THE CROSS BAR

Refer to figure I for illustration of fixture, parts and assembly

1. If you are replacing an existing fixture, disconnect and remove the old fixture. Expose the supply wiring from the outlet box.
2. Fasten the mounting bracket to the outlet box using the two screws supplied with the outlet box. If the threaded stem is not attached to the mounting bracket, secure the stem with the lock washer and nut provided

3. Attach the finial (support loop) to the top part of the fixture. Turn the finial at least 3 complete turns to ensure proper securement.
4. Attach the chain to the finial (support loop) on the top of the fixture. Adjust the chain length by removing one link at a point best suited to the location and required distance from the ceiling weave the wires through the chain links. Attach the chain to the top finial loop place finial nut and canopy down the fixture chain. Thread the wires up through the finial loop.
5. Raise the fixture to the ceiling and weave the electrical wire through mounting bracket threaded stem. Secure the top finial loop to the threaded stem by screwing loop into stem. Turn the loop at least 3 complete turns to ensure proper mounting. Now you are ready to make electrical connections.
6. Make electrical connections - SEE BELOW

ELECTRICAL CONNECTIONS

To make electrical connections:

Cut excess wire leaving six inches for electrical connections. Split the wires into two separate leads. Connect the half of the STT cord that is ribbed surface, to the white wire of the supply circuit. Connect the smooth half of the wire (the half with markings) to the black wire of the supply circuit. Connect the bare copper wire to the supply circuit. Connect the bare copper wire to the grounding connectors of the supply circuit. Use U.L. Listed wire connectors suitable for the size, type and number of conductors. No loose strands of loose connections should be present. Secure wire connectors with U.L. Listed electrical tape.

FINAL ASSEMBLY

1. Straddle the electrical splices so that the black wires are on one side of the outlet box and the white wires are on the other side.
2. Raise ceiling canopy and finial nut up to ceiling and secure to finial loop.
3. Make sure the weight of the chandelier is supported by the chain the electrical cord. If you install hooks for a swag, they too must engage the chain only. Installation of this type should not be made on a radiant heating type ceiling.
4. Install lightbulbs (not provided).
CAUTION: Refer to the relamping label located near the lampholder, for recommended wattage - do not exceed recommended wattage.
5. Hang glass diffusers. Place plastic tips on ends of diffuser hooks. (Not on all models)
6. Restore electricity and check the operation of your new lighting fixture.